



HEAVY-DUTYCASTER.COM



PHIL@HEAVY-DUTYCASTER.COM

336-362-1639

<https://www.heavy-dutycaster.com>

Light Duty Casters for Material Handling Carts, Food Service Carts, Institutional Carts, Commercial Dollies & Warehouse and Production Areas.

| Part # | Swivel/Rigid | Wheel Size (Diameter x Tread Width), Wheel Material, Bearings, Color | Capacity | Overall Height | Price Each | Shipping Locations |
|------------------|--------------------------|--|----------|-------------------|---------------|-----------------------|
| 5230-01-PPBG | Swivel | 3" x 1.25" Polyurethane on Poly w/ Ball Bearings; Grey, Black, or Blue | 250# | 4-1/16 in. | \$11.00 | GA, IL |
| 5230-01-PPBG-TLB | Swivel w/ Top Lock Brake | 3" x 1.25" Polyurethane on Poly w/ Ball Bearings; Grey, Black, or Blue | 250# | 4-1/16 in. | \$13.00 | GA, IL |
| 5230R-01-PPBG | Rigid | 3" x 1.25" Polyurethane on Poly w/ Ball Bearings; Grey, Black, or Blue | 250# | 4-1/16 in. | \$10.00 | GA, IL |
| 5235-01-PPBG | Swivel | 3.5" x 1.25" Polyurethane on Poly w/ Ball Bearings; Grey, Black, or Blue | 250# | 4-5/8 in. | \$12.00 | GA, IL |
| 5235-01-PPBG-TLB | Swivel w/ Top Lock Brake | 3.5" x 1.25" Polyurethane on Poly w/ Ball Bearings; Grey, Black, or Blue | 250# | 4-5/8 in. | \$14.00 | GA, IL |
| 5235R-01-PPBG | Rigid | 3.5" x 1.25" Polyurethane on Poly w/ Ball Bearings; Grey, Black, or Blue | 250# | 4-5/8 in. | \$11.00 | GA, IL |



3" x 1.25" Swivel
caster w/ Black Poly Wheel



3.5" x 1.25" Swivel
caster with top lock brake

| Part # | Swivel/Rigid | Wheel Size (Diameter x Tread Width), Wheel Material, Bearings, Color | Capacity | Overall Height | Price Each | Shipping Locations |
|------------------|--------------------------|---|----------|-------------------|---------------|-----------------------|
| 5240-01-PPBG | Swivel | 4" x 1.25" Polyurethane on Poly w/ Ball Bearings; Grey, Black, or Blue | 275# | 5-1/8 in. | \$13.00 | GA, IL |
| 5240-01-PPBG-TLB | Swivel w/ Top Lock Brake | 4" x 1.25" Polyurethane on Poly w/ Ball Bearings; Grey, Black, or Blue | 275# | 5-1/8 in. | \$15.00 | GA, IL |
| 5240R-01-PPBG | Rigid | 4" x 1.25" Polyurethane on Poly w/ Ball Bearings; Grey, Black, or Blue | 275# | 5-1/8 in. | \$12.00 | GA, IL |
| | | | | | | |
| 5250-01-PPBG | Swivel | 5" x 1.25" Polyurethane on Poly w/ Ball Bearings; Grey, Black, or Blue | 300# | 6-3/16 in. | \$14.00 | GA, IL |
| 5250-01-PPBG-TLB | Swivel w/ Top Lock Brake | 5" x 1.25" Polyurethane on Poly w/ Ball Bearings; Grey, Black, or Blue | 300# | 6-3/16 in. | \$15.00 | GA, IL |
| 5250R-01-PPBG | Rigid | 5" x 1.25" Polyurethane on Poly w/ Ball Bearings; Grey, Black, or Blue | 300# | 6-3/16 in. | \$13.00 | GA, IL |
| | | | | | | |
| 5260-01-PPBG | Swivel | 6" x 1.25" Polyurethane on Poly w/ Ball Bearings; Grey, Black, or Blue | 325# | 7-3/8 in. | \$16.00 | GA, IL |
| 5260-01-PPBG-TLB | Swivel w/ Top Lock Brake | 6" x 1.25" Polyurethane on Poly w/ Ball Bearings; Grey, Black, or Blue | 325# | 7-3/8 in. | \$18.00 | GA, IL |
| 5260R-01-PPBG | Rigid | 6" x 1.25" Polyurethane on Poly w/ Ball Bearings; Grey, Black, or Blue | 325# | 7-3/8 in. | \$15.00 | GA, IL |



4" x 1.25" Swivel
caster w/ Blue Poly wheel



5" x 1.25" Swivel
caster with Blue Poly wheel

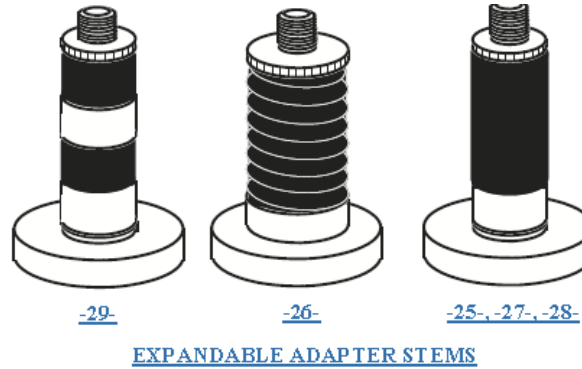
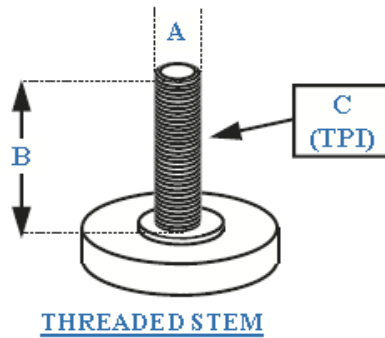
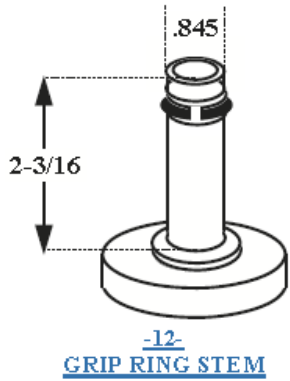
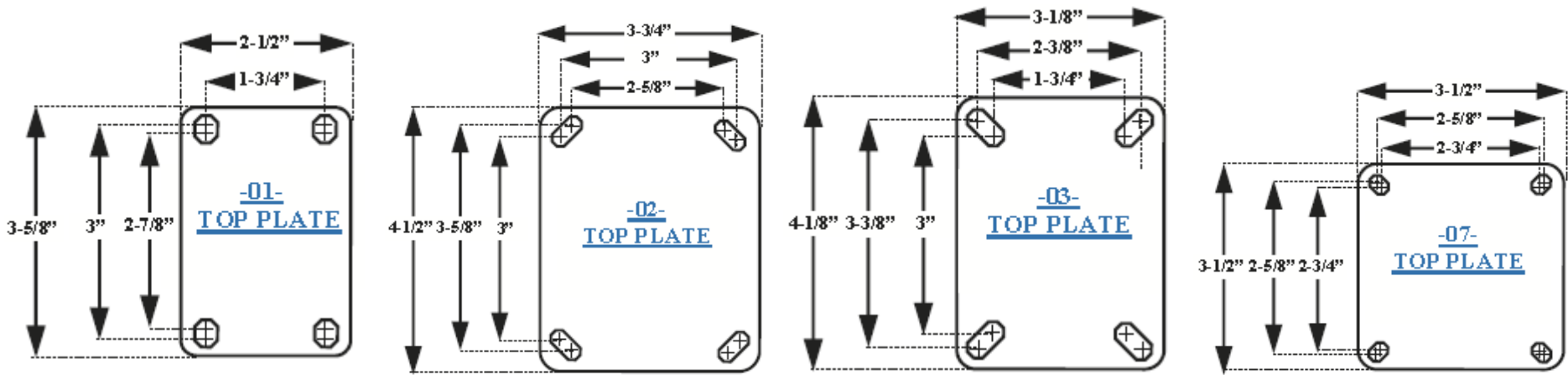


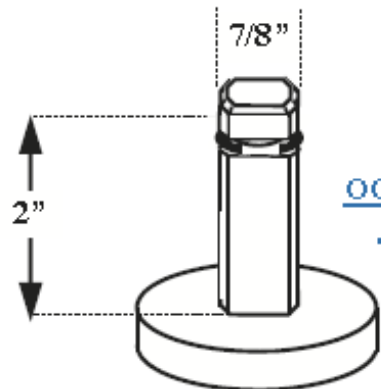
6" x 1.25" Swivel
caster with top lock brake



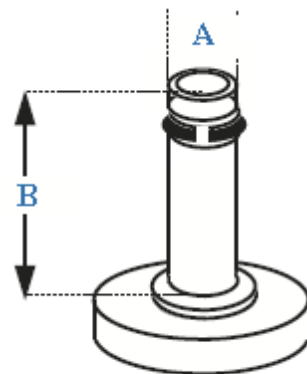
Our Light Duty Casters have capacity up to 350#. We use a double ball swivel raceway for added durability and ease of swivel action. A metal dust cover helps protect the swivel race. Applications include: material handling carts and trucks, food service equipment and carts, institutional, commercial, and hospital carts and equipment. As well as dollies, wire shelving, and warehouse carts.

Top Plate Sizes and Stem Sizes Available:





-41-
OCTAGON GRIP
RING STEM



-11-, -12-
GRIP RING STEM

| | | |
|--|--|---|
| GRIP RING STEM | 11 12 14 14CDH | 7/16 x 1-1/2 .845 x 2-3/16 1.48 x 3 WITH DUAL GRIP RINGS 1.48 x 3 WITH DUAL GRIP RINGS W-5/16 CROSS DRILLED HOLE |
| THREADED STEM (WITH LOWER NUT UNDER RACE WAY) | 21 22 23 24 26N 58134 34134 344 34PT | A-B x C 1/2-13 x 1 1/2-13 x 1-1/2 1/2-13 x 2-3/16 1/2-13 x 2-1/4 1/2-13 x 2-13/16 5/8-11 x 1-3/4 3/4-10 x 1-3/4 3/4-10 x 4 THREADED FOR 3/4 PIPE COUPLING x 3/4 LONG |
| PIPE THREAD STEM | 25 26 27 28 29 | FOR 1-3/8 I.D. 1-1/2 O.D. TUBING FOR 1-1/2" I.D. 1-5/8 O.D. TUBING FOR 7/8" I.D. 1" O.D. TUBING FOR 1" I.D. 1-1/8" O.D. TUBING FOR 1-1/8" I.D. 1-1/4 O.D. TUBING |
| EXPANDABLE ADAPTER STEMS | 31 | 7/8 x 1-7/16 WITH 5/16 CROSS DRILLED HOLE 29/32 UP |
| ROUND PLAIN STEM | 41 | 7/8 x 2-1/4 WITH ONE GRIP RING (TOP) |
| OCTAGON STEM W/ GRIP RING | 42 | 7/8 x 2 WITH 5/16 CROSS DRILLED HOLE 1" UP |
| OCTAGON STEM W/ CROSS DRILLED HOLE | 45 | 7/8 x 2-1/4 (GROOVE WITH NO GRIP RING) |
| OCTAGON STEM W/ GROOVE (NO RING) | 51 | 7/8 x 2 WITH 1/4" CROSS DRILLED HOLE 1" UP |
| SQUARE STEM | | |

**PEDAL WHEEL BRAKE
(SWIVELS ONLY)**



PWB

INTEGRATED TLB



TLB

**QUICK CHANGE PLATE FOR
-01- TOP PLATE
(WILL NOT WORK ON
RIGID STAMPED RIGS)**



**QCP-01-5200
(ZINC PLATED, BOLTED ON)
QCP-01-5200-UNPLATED
(UNPLATED, WELDED ON)**