



HEAVY-DUTYCASTER.COM



PHIL@HEAVY-DUTYCASTER.COM

336-362-1639

<https://www.heavy-dutycaster.com/>

Extreme Heavy-Duty Dual Wheel Casters

Phil Strouth or Ty Strouth

Code 19 Top Plate	4.5"x6.25" Overall Size	D1/R1 DUAL WHEEL KINGPINLESS SERIES Uses 2" wide Dual Wheels	800 – 6,000#	See below	See Below	Ohio, Texas
Part#	Swivel / Rigid	Wheel Size (Diameter x Tread Width), Wheel Material, Bearings, Color	Capacit y	Overall Height	Price Each	Shipping Locations
D1PH50JB0419YY	Swivel	5" x 2" x 2 Phenolic w/ Straight Roller Bearing; Black	2,000#	7-1/2"	\$298.00	Ohio, Texas
R1PH50JB0419YY	Rigid	5" x 2" Phenolic w/ Straight Roller Bearings; Black	2,000#	7-1/2"	\$240.00	Ohio, Texas
D1PU50JG0419YY	Swivel	5" x 2" x 2 Polyurethane on Cast Iron w/ Straight Roller Bearing; Green on Black	2,200#	7-1/2"	\$308.00	Ohio, Texas
R1PU50JG0419YY	Rigid	5" x 2" x 2 Polyurethane on Cast Iron w/ Straight Roller Bearing; Green on Black	2,200#	7-1/2"	\$250.00	Ohio, Texas
D1SW50JU0419YY	Swivel	5" x 2" x 2 Polyurethane on Cast Iron Crowned w/ Roller Bearing; Blue on Black	2,600#	7-1/2"	\$319.00	Ohio, Texas
R1SW50JU0419YY	Rigid	5" x 2" x 2 Polyurethane on Cast Iron Crowned w/ Roller Bearing; Blue on Black	2,600#	7-1/2"	\$262.00	Ohio, Texas
D1HU50JI6319YY	Swivel	5" x 2" x 2 Solid Elastomer w/ Precision Ball Bearings; Solid Grey	2,800#	7-1/2"	\$330.00	Ohio, Texas
R1HU50JI6319YY	Rigid	5" x 2" x 2 Solid Elastomer w/ Precision Ball Bearings; Solid Grey	2,800#	7-1/2"	\$272.00	Ohio, Texas
D1SS50JS0419YY	Swivel	5" x 2" x 2 Cast Iron w/ Straight Roller Bearing; Silver	2,000#	7-1/2"	\$305.00	Ohio, Texas
R1SS50JS0419YY	Rigid	5" x 2" x 2 Cast Iron w/ Straight Roller Bearing; Silver	2,000#	7-1/2"	\$248.00	Ohio, Texas
D1DS50JR0419YY	Swivel	5" x 2" x 2 Ductile Steel Flat or Crowned w/ Straight Roller Bearing; Red	3,000#	7-1/2"	\$327.00	Ohio, Texas
R1DS50JR0419YY	Rigid	5" x 2" x 2 Ductile Steel Flat or Crowned w/ Straight Roller Bearing; Red	3,000#	7-1/2"	\$269.00	Ohio, Texas
D1PH60JB0419YY	Swivel	6" x 2" x 2 Phenolic w/ Straight Roller Bearing; Black	2,400#	8"	\$305.00	Ohio, Texas
R1PH60JB0419YY	Rigid	6" x 2" Phenolic w/ Straight Roller Bearings; Black	2,400#	8"	\$250.00	Ohio, Texas
D1PU60JG0419YY	Swivel	6" x 2" x 2 Polyurethane on Cast Iron w/ Straight Roller Bearing; Green on Black	2,400#	8"	\$320.00	Ohio, Texas
R1PU60JG0419YY	Rigid	6" x 2" x 2 Polyurethane on Cast Iron w/ Straight Roller Bearing; Green on Black	2,400#	8"	\$265.00	Ohio, Texas
D1SW60JU0419YY	Swivel	6" x 2" x 2 Polyurethane on Cast Iron Crowned w/ Roller Bearing; Blue on Black	2,800#	8"	\$325.00	Ohio, Texas
R1SW60JU0419YY	Rigid	6" x 2" x 2 Polyurethane on Cast Iron Crowned w/ Roller Bearing; Blue on Black	2,800#	8"	\$270.00	Ohio, Texas
D1HU60JI6319YY	Swivel	6" x 2" x 2 Solid Elastomer w/ Precision Ball Bearings; Solid Grey	3,400#	8"	\$400.00	Ohio, Texas
R1HU60JI6319YY	Rigid	6" x 2" x 2 Solid Elastomer w/ Precision Ball Bearings; Solid Grey	3,400#	8"	\$295.00	Ohio, Texas

D1SS60JS0419YY	Swivel	6" x 2" x 2 Cast Iron w/ Straight Roller Bearing; Silver	2,400#	8"	\$315.00	Ohio, Texas
R1SS60JS0419YY	Rigid	6" x 2" x 2 Cast Iron w/ Straight Roller Bearing; Silver	2,400#	8"	\$255.00	Ohio, Texas
D1DS60JR0419YY	Swivel	6" x 2" x 2 Ductile Steel Flat or Crowned w/ Straight Roller Bearing; Red	4,000#	8"	\$345.00	Ohio, Texas
R1DS60JR0419YY	Rigid	6" x 2" x 2 Ductile Steel Flat or Crowned w/ Straight Roller Bearing; Red	4,000#	8"	\$290.00	Ohio, Texas
D1FS60JS7319YY	Swivel	6" x 2" x 2 Forged Steel Flat w/ Tapered Roller Bearing; Silver/Black	5,000#	8"	\$464.00	Ohio, Texas
R1FS60JS7319YY	Rigid	6" x 2" x 2 Forged Steel Flat w/ Tapered Roller Bearing; Silver/Black	5,000#	8"	\$411.00	Ohio, Texas
D1PH80JB0419YY	Swivel	8" x 2" x 2 Phenolic w/ Straight Roller Bearing; Black	2,800#	10-1/8"	\$330.00	Ohio, Texas
R1PH80JB0419YY	Rigid	8" x 2" Phenolic w/ Straight Roller Bearings; Black	2,800#	10-1/8"	\$263.00	Ohio, Texas
D1PU80JG0419YY	Swivel	8" x 2" x 2 Polyurethane on Cast Iron w/ Straight Roller Bearing; Green on Black	2,800#	10-1/8"	\$345.00	Ohio, Texas
R1PU80JG0419YY	Rigid	8" x 2" x 2 Polyurethane on Cast Iron w/ Straight Roller Bearing; Green on Black	2,800#	10-1/8"	\$278.00	Ohio, Texas
D1SW80JU0419YY	Swivel	8" x 2" x 2 Polyurethane on Cast Iron Crowned w/ Roller Bearing; Blue on Black	3,000#	10-1/8"	\$353.00	Ohio, Texas
R1SW80JU0419YY	Rigid	8" x 2" x 2 Polyurethane on Cast Iron Crowned w/ Roller Bearing; Blue on Black	3,000#	10-1/8"	\$287.00	Ohio, Texas
D1HU80JI6319YY	Swivel	8" x 2" x 2 Solid Elastomer w/ Precision Ball Bearings; Solid Grey	4,000#	10-1/8"	\$420.00	Ohio, Texas
R1HU80JI6319YY	Rigid	8" x 2" x 2 Solid Elastomer w/ Precision Ball Bearings; Solid Grey	4,000#	10-1/8"	\$345.00	Ohio, Texas
D1SS80JS0419YY	Swivel	8" x 2" x 2 Cast Iron w/ Straight Roller Bearing; Silver	2,800#	10-1/8"	\$335.00	Ohio, Texas
R1SS80JS0419YY	Rigid	8" x 2" x 2 Cast Iron w/ Straight Roller Bearing; Silver	2,800#	10-1/8"	\$270.00	Ohio, Texas
D1DS80JR0419YY	Swivel	8" x 2" x 2 Ductile Steel Flat or Crowned w/ Straight Roller Bearing; Red	4,000#	10-1/8"	\$375.00	Ohio, Texas
R1DS80JR0419YY	Rigid	8" x 2" x 2 Ductile Steel Flat or Crowned w/ Straight Roller Bearing; Red	4,000#	10-1/8"	\$310.00	Ohio, Texas
D1FS80JS7319YY	Swivel	8" x 2" x 2 Forged Steel Flat w/ Tapered Roller Bearing; Silver/Black	6,000#	10-1/8"	\$548.00	Ohio, Texas
R1FS80JS7319YY	Rigid	8" x 2" x 2 Forged Steel Flat w/ Tapered Roller Bearing; Silver/Black	6,000#	10-1/8"	\$485.00	Ohio, Texas
Code 25 Top Plate	5.25"x7.25" Overall Size	D2/R2 DUAL WHEEL KINGPINLESS SERIES Uses 3" wide Dual Wheels	4,000 – 12,000#	See below	See Below	Ohio, Texas
Part#	Swivel / Rigid	Wheel Size (Diameter x Tread Width), Wheel Material, Bearings, Color	Capacity	Overall Height	Price Each	Shipping Locations
D2PH60LB2425YY	Swivel	6" x 3" x 2 Phenolic w/ Straight Roller Bearing; Black	4,000#	8-1/16"	\$405.00	Ohio, Texas
R2PH60LB2425YY	Rigid	6" x 3" Phenolic w/ Straight Roller Bearings; Black	4,000#	8-1/16"	\$320.00	Ohio, Texas
D2PX60LO5P25YY	Swivel	6" x 3" x 2 Titan Polyurethane on Cast Iron w/ Precision Ball Bearing; Yellow on Black	6,000#	8-1/16"	\$612.00	Ohio, Texas
R2PX60LO5P25YY	Rigid	6" x 3" x 2 Polyurethane on Cast Iron w/ Precision Ball Bearing; Green on Black	4,000#	8-1/16"	\$528.00	Ohio, Texas
D2SW60LU2425YY	Swivel	6" x 3" x 2 Polyurethane on Cast Iron Crowned w/ Roller Bearing; Blue on Black	4,400#	8-1/16"	\$415.00	Ohio, Texas

R2SW60LU2425YY	Rigid	6" x 3" x 2 Polyurethane on Cast Iron Crowned w/ Roller Bearing; Blue on Black	4,400#	8-1/16"	\$330.00	Ohio, Texas
D2HU60KI6525YY	Swivel	6" x 3" x 2 Solid Elastomer w/ Precision Ball Bearings; Solid Grey	4,600#	8-1/16"	\$474.00	Ohio, Texas
R2HU60KI6525YY	Rigid	6" x 3" x 2 Solid Elastomer w/ Precision Ball Bearings; Solid Grey	4,600#	8-1/16"	\$350.00	Ohio, Texas
D2SS60LS2425YY	Swivel	6" x 3" x 2 Cast Iron w/ Straight Roller Bearing; Silver	5,000#	8-1/16"	\$402.00	Ohio, Texas
R2SS60LS2425YY	Rigid	6" x 3" x 2 Cast Iron w/ Straight Roller Bearing; Silver	5,000#	8-1/16"	\$320.00	Ohio, Texas
D2DS60LR2425YY	Swivel	6" x 3" x 2 Ductile Steel Flat or Crowned w/ Straight Roller Bearing; Red	7,000#	8-1/16"	\$466.00	Ohio, Texas
R2DS60LR2425YY	Rigid	6" x 3" x 2 Ductile Steel Flat or Crowned w/ Straight Roller Bearing; Red	7,000#	8-1/16"	\$382.00	Ohio, Texas
D2FS60LS7925YY	Swivel	6" x 3" x 2 Forged Steel Flat w/ Tapered Roller Bearing; Silver/Black	7,000#	8-1/16"	\$596.00	Ohio, Texas
R2FS60LS7925YY	Rigid	6" x 3" x 2 Forged Steel Flat w/ Tapered Roller Bearing; Silver/Black	7,000#	8-1/16"	\$520.00	Ohio, Texas
D2PH80LB2425YY	Swivel	8" x 3" x 2 Phenolic w/ Straight Roller Bearing; Black	5,000#	10-1/2"	\$435.00	Ohio, Texas
R2PH80LB2425YY	Rigid	8" x 3" Phenolic w/ Straight Roller Bearings; Black	5,000#	10-1/2"	\$337.00	Ohio, Texas
D2PX80LO5P25YY	Swivel	8" x 3" x 2 Titan Polyurethane on Cast Iron w/ Precision Ball Bearing; Yellow on Black	11,000 #	10-1/2"	\$847.00	Ohio, Texas
R2PX80LO5P25YY	Rigid	8" x 3" x 2 Titan Polyurethane on Cast Iron w/ Precision Ball Bearing; Yellow on Black	11,000 #	10-1/2"	\$750.00	Ohio, Texas
D2SW80LU2425YY	Swivel	8" x 3" x 2 Polyurethane on Cast Iron Crowned w/ Roller Bearing; Blue on Black	5,400#	10-1/2"	\$460.00	Ohio, Texas
R2SW80LU2425YY	Rigid	8" x 3" x 2 Polyurethane on Cast Iron Crowned w/ Roller Bearing; Blue on Black	5,400#	10-1/2"	\$362.00	Ohio, Texas
D2HU80LI6525YY	Swivel	8" x 3" x 2 Solid Elastomer w/ Precision Ball Bearings; Solid Grey	6,000#	10-1/2"	\$565.00	Ohio, Texas
R2HU80LI6525YY	Rigid	8" x 3" x 2 Solid Elastomer w/ Precision Ball Bearings; Solid Grey	6,000#	10-1/2"	\$470.00	Ohio, Texas
D2SS80LS2425YY	Swivel	8" x 3" x 2 Cast Iron w/ Straight Roller Bearing; Silver	5,000#	10-1/2"	\$437.00	Ohio, Texas
R2SS80LS2425YY	Rigid	8" x 3" x 2 Cast Iron w/ Straight Roller Bearing; Silver	5,000#	10-1/2"	\$340.00	Ohio, Texas
D2DS80LR2425YY	Swivel	8" x 3" x 2 Ductile Steel Flat or Crowned w/ Straight Roller Bearing; Red	7,000#	10-1/2"	\$537.00	Ohio, Texas
R2DS80LR2425YY	Rigid	8" x 3" x 2 Ductile Steel Flat or Crowned w/ Straight Roller Bearing; Red	7,000#	10-1/2"	\$430.00	Ohio, Texas
D2FS80LS7925YY	Swivel	8" x 3" x 2 Forged Steel Flat w/ Tapered Roller Bearing; Silver/Black	7,000#	10-1/2"	\$578.00	Ohio, Texas
R2FS80LS7925YY	Rigid	8" x 3" x 2 Forged Steel Flat w/ Tapered Roller Bearing; Silver/Black	7,000#	10-1/2"	\$510.00	Ohio, Texas
D2PH10LB2425YY	Swivel	10" x 3" x 2 Phenolic w/ Straight Roller Bearing; Black	5,800#	12-1/2"	\$473.00	Ohio, Texas
R2PH10LB2425YY	Rigid	10" x 3" Phenolic w/ Straight Roller Bearings; Black	5,800#	12-1/2"	\$337.00	Ohio, Texas
D2PX10LO5P25YY	Swivel	10" x 3" x 2 Polyurethane on Cast Iron w/ Precision Ball Bearing; Yellow on Black	12,000 #	12-1/2"	\$995.00	Ohio, Texas
R2PX10LO5P25YY	Rigid	10" x 3" x 2 Titan Polyurethane on Cast Iron w/ Precision Ball Bearing; Yellow on Black	12,000 #	12-1/2"	\$885.00	Ohio, Texas

D2SW10LU2425YY	Swivel	10" x 3" x 2 Polyurethane on Cast Iron Crowned w/ Roller Bearing; Blue on Black	6,000#	12-1/2"	\$521.00	Ohio, Texas
R2SW10LU2425YY	Rigid	10" x 3" x 2 Polyurethane on Cast Iron Crowned w/ Roller Bearing; Blue on Black	6,000#	12-1/2"	\$402.00	Ohio, Texas
D2HU10LI6525YY	Swivel	10" x 3" x 2 Solid Elastomer w/ Precision Ball Bearings; Solid Grey	6,400#	12-1/2"	\$775.00	Ohio, Texas
R2HU10LI6525YY	Rigid	10" x 3" x 2 Solid Elastomer w/ Precision Ball Bearings; Solid Grey	6,400#	12-1/2"	\$680.00	Ohio, Texas
D2SS10LS2425YY	Swivel	10" x 3" x 2 Cast Iron w/ Straight Roller Bearing; Silver	5,000#	12-1/2"	\$498.00	Ohio, Texas
R2SS10LS2425YY	Rigid	10" x 3" x 2 Cast Iron w/ Straight Roller Bearing; Silver	5,000#	12-1/2"	\$386.00	Ohio, Texas
D2DS10LR2425YY	Swivel	10" x 3" x 2 Ductile Steel Flat or Crowned w/ Straight Roller Bearing; Red	7,000#	12-1/2"	\$570.00	Ohio, Texas
R2DS10LR2425YY	Rigid	10" x 3" x 2 Ductile Steel Flat or Crowned w/ Straight Roller Bearing; Red	7,000#	12-1/2"	\$462.00	Ohio, Texas
D2FS10LS7925YY	Swivel	10" x 3" x 2 Forged Steel Flat w/ Tapered Roller Bearing; Silver/Black	7,000#	12-1/2"	\$1,025.00	Ohio, Texas
R2FS10LS7975YY	Rigid	10" x 3" x 2 Forged Steel Flat w/ Tapered Roller Bearing; Silver/Black	7,000#	12-1/2"	\$995.00	Ohio, Texas
D2PH12LB2425YY	Swivel	12" x 3" x 2 Phenolic w/ Straight Roller Bearing; Black	7,000#	15-1/2"	\$610.00	Ohio, Texas
R2PH12LB2425YY	Rigid	12" x 3" Phenolic w/ Straight Roller Bearings; Black	7,000#	15-1/2"	\$485.00	Ohio, Texas
D2PX12LO5P25YY	Swivel	12" x 3" x 2 Titan Polyurethane on Cast Iron w/ Precision Ball Bearing; Yellow on Black	12,000 #	15-1/2"	\$1,555.00	Ohio, Texas
R2PX12LO5P25YY	Rigid	12" x 3" x 2 Titan Polyurethane on Cast Iron w/ Precision Ball Bearing; Yellow on Black	12,000 #	15-1/2"	\$925.00	Ohio, Texas
D2SW12LU2425YY	Swivel	12" x 3" x 2 Polyurethane on Cast Iron Crowned w/ Roller Bearing; Blue on Black	7,000#	15-1/2"	\$675.00	Ohio, Texas
R2SW12LU2425YY	Rigid	12" x 3" x 2 Polyurethane on Cast Iron Crowned w/ Roller Bearing; Blue on Black	7,000#	15-1/2"	\$550.00	Ohio, Texas
D2DS12LR2425YY	Swivel	12" x 3" x 2 Ductile Steel Flat or Crowned w/ Straight Roller Bearing; Red	7,000#	15-1/2"	\$765.00	Ohio, Texas
R2DS12LR2425YY	Rigid	12" x 3" x 2 Ductile Steel Flat or Crowned w/ Straight Roller Bearing; Red	7,000#	15-1/2"	\$675.00	Ohio, Texas
Code 30 Top Plate	6.25"x7.25" Overall Size	D3/R3 DUAL WHEEL KINGPINLESS SERIES Uses 3" wide Dual Wheels	4,000 – 20,000#	See below	See Below	Ohio, Texas
Part#	Swivel / Rigid	Wheel Size (Diameter x Tread Width), Wheel Material, Bearings, Color	Capacity	Overall Height	Price Each	Shipping Locations
D3PH60LB2430YY	Swivel	6" x 3" x 2 Phenolic w/ Straight Roller Bearing; Black	4,000#	8-27/32"	\$655.00	Ohio, Texas
R3PH60LB2430YY	Rigid	6" x 3" Phenolic w/ Straight Roller Bearings; Black	4,000#	8-27/32"	\$565.00	Ohio, Texas
D3PX60LO5P30YY	Swivel	6" x 3" x 2 Titan Polyurethane on Cast Iron w/ Precision Ball Bearing; Yellow on Black	10,000 #	8-27/32"	\$865.00	Ohio, Texas
R3PX60LO5P30YY	Rigid	6" x 3" x 2 Polyurethane on Cast Iron w/ Precision Ball Bearing; Yellow on Black	10,000 #	8-27/32"	\$775.00	Ohio, Texas
D3SW60LU2430YY	Swivel	6" x 3" x 2 Polyurethane on Cast Iron Crowned w/ Roller Bearing; Blue on Black	4,400#	8-27/32"	\$675.00	Ohio, Texas
R3SW60LU2430YY	Rigid	6" x 3" x 2 Polyurethane on Cast Iron Crowned w/ Roller Bearing; Blue on Black	4,400#	8-27/32"	\$585.00	Ohio, Texas

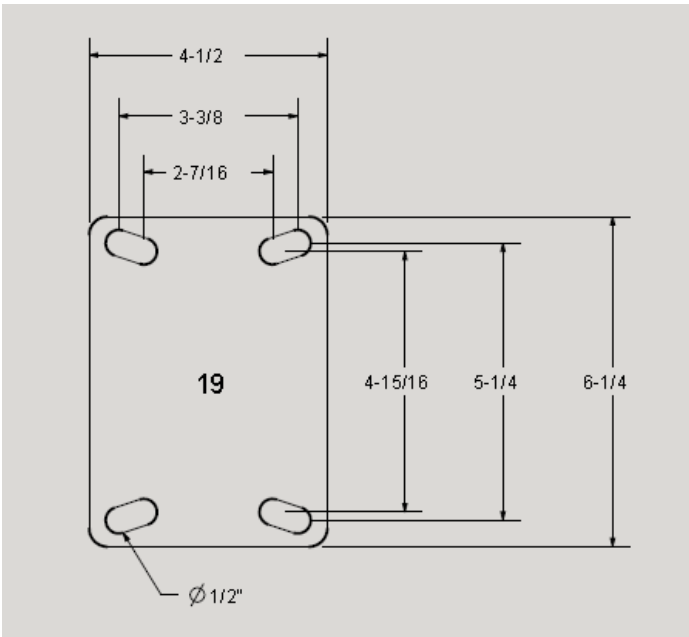
D3EX60LG6530YY	Swivel	6" x 3" x 2 Ultra-Poly on Cast Iron w/ Precision Ball Bearings; Green on Black	6,000#	8-27/32"	\$767.00	Ohio, Texas
R3EX60LG6530YY	Rigid	6" x 3" x 2 Ultra-Poly on Cast Iron w/ Precision Ball Bearings; Green on Black	6,000#	8-27/32"	\$680.00	Ohio, Texas
D3DS60LR7030YY	Swivel	6" x 3" x 2 Ductile Steel Flat or Crowned w/ Tapered Roller Bearing; Red	20,000#	8-27/32"	\$765.00	Ohio, Texas
R3DS60LR7030YY	Rigid	6" x 3" x 2 Ductile Steel Flat or Crowned w/ Tapered Roller Bearing; Red	20,000#	8-27/32"	\$675.00	Ohio, Texas
D3FS60LS7930YY	Swivel	6" x 3" x 2 Forged Steel Flat w/ Tapered Roller Bearing; Silver/Black	20,000#	8-27/32"	\$1,065.00	Ohio, Texas
R3FS60LS7930YY	Rigid	6" x 3" x 2 Forged Steel Flat w/ Tapered Roller Bearing; Silver/Black	20,000#	8-27/32"	\$920.00	Ohio, Texas
D3PH80LB2430YY	Swivel	8" x 3" x 2 Phenolic w/ Straight Roller Bearing; Black	5,000#	10-7/8"	\$715.00	Ohio, Texas
R3PH80LB2430YY	Rigid	8" x 3" Phenolic w/ Straight Roller Bearings; Black	5,000#	10-7/8"	\$595.00	Ohio, Texas
D3PX80LO5P30YY	Swivel	8" x 3" x 2 Titan Polyurethane on Cast Iron w/ Precision Ball Bearing; Yellow on Black	11,000 #	10-7/8"	\$1,125.00	Ohio, Texas
R3PX80LO5P30YY	Rigid	8" x 3" x 2 Titan Polyurethane on Cast Iron w/ Precision Ball Bearing; Yellow on Black	11,000 #	10-7/8"	\$910.00	Ohio, Texas
D3SW80LU2430YY	Swivel	8" x 3" x 2 Polyurethane on Cast Iron Crowned w/ Roller Bearing; Blue on Black	5,400#	10-7/8"	\$740.00	Ohio, Texas
R3SW80LU2430YY	Rigid	8" x 3" x 2 Polyurethane on Cast Iron Crowned w/ Roller Bearing; Blue on Black	5,400#	10-7/8"	\$620.00	Ohio, Texas
D3EX80LG6530YY	Swivel	8" x 3" x 2 Ultra-Poly on Cast Iron w/ Precision Ball Bearings; Green on Black	7,000#	10-7/8"	\$900.00	Ohio, Texas
R3EX80LG6530YY	Rigid	8" x 3" x 2 Ultra-Poly on Cast Iron w/ Precision Ball Bearings; Green on Black	7,000#	10-7/8"	\$790.00	Ohio, Texas
D3DS80LR7030YY	Swivel	8" x 3" x 2 Ductile Steel Flat or Crowned w/ Tapered Roller Bearing; Red	20,000#	10-7/8"	\$855.00	Ohio, Texas
R3DS80LR7030YY	Rigid	8" x 3" x 2 Ductile Steel Flat or Crowned w/ Tapered Roller Bearing; Red	20,000#	10-7/8"	\$740.00	Ohio, Texas
D3FS80LS7930YY	Swivel	8" x 3" x 2 Forged Steel Flat w/ Tapered Roller Bearing; Silver/Black	20,000#	10-7/8"	\$1,155.00	Ohio, Texas
R3FS80LS7930YY	Rigid	8" x 3" x 2 Forged Steel Flat w/ Tapered Roller Bearing; Silver/Black	20,000#	10-7/8"	\$1,040.00	Ohio, Texas
D3PH10LB2430YY	Swivel	10" x 3" x 2 Phenolic w/ Straight Roller Bearing; Black	5,800#	12-13/16"	\$765.00	Ohio, Texas
R3PH10LB2430YY	Rigid	10" x 3" Phenolic w/ Straight Roller Bearings; Black	5,800#	12-13/16"	\$625.00	Ohio, Texas
D3PX10LO5P30YY	Swivel	10" x 3" x 2 Titan Polyurethane on Cast Iron w/ Precision Ball Bearing; Yellow on Black	12,000 #	12-13/16"	\$1,164.00	Ohio, Texas
R3PX10LO5P30YY	Rigid	10" x 3" x 2 Titan Polyurethane on Cast Iron w/ Precision Ball Bearing; Yellow on Black	12,000 #	12-13/16"	\$935.00	Ohio, Texas
D3SW10LU2430YY	Swivel	10" x 3" x 2 Polyurethane on Cast Iron Crowned w/ Roller Bearing; Blue on Black	6,000#	12-13/16"	\$785.00	Ohio, Texas
R3SW10LU2430YY	Rigid	10" x 3" x 2 Polyurethane on Cast Iron Crowned w/ Roller Bearing; Blue on Black	6,000#	12-13/16"	\$645.00	Ohio, Texas
D3EX10LG6530YY	Swivel	10" x 3" x 2 Ultra-Poly on Cast Iron w/ Precision Ball Bearings; Green on Black	8,000#	12-13/16"	\$1,025.00	Ohio, Texas
R3EX10LG6530YY	Rigid	10" x 3" x 2 Ultra-Poly on Cast Iron w/ Precision Ball Bearings; Green on Black	8,000#	12-13/16"	\$875.00	Ohio, Texas

D3DS10LR7030YY	Swivel	10" x 3" x 2 Ductile Steel Flat or Crowned w/ Tapered Roller Bearing; Red	20,000#	12-13/16"	\$950.00	Ohio, Texas
R3DS10LR7030YY	Rigid	10" x 3" x 2 Ductile Steel Flat or Crowned w/ Tapered Roller Bearing; Red	20,000#	12-13/16"	\$805.00	Ohio, Texas
D3FS10LS7930YY	Swivel	10" x 3" x 2 Forged Steel Flat w/ Tapered Roller Bearing; Silver/Black	20,000#	12-13/16"	\$1,550.00	Ohio, Texas
R3FS10LS7930YY	Rigid	10" x 3" x 2 Forged Steel Flat w/ Tapered Roller Bearing; Silver/Black	20,000#	12-13/16"	\$1,405.00	Ohio, Texas
D3PH12LB2425YY	Swivel	12" x 3" x 2 Phenolic w/ Straight Roller Bearing; Black	7,000#	15-1/2"	\$820.00	Ohio, Texas
R3PH12LB2425YY	Rigid	12" x 3" Phenolic w/ Straight Roller Bearings; Black	7,000#	15-1/2"	\$660.00	Ohio, Texas
D3PX12LO5P30YY	Swivel	12" x 3" x 2 Titan-Poly on Cast Iron w/ Precision Ball Bearings; Yellow on Black	13,000#	15-1/2"	\$1,120.00	Ohio, Texas
R3PX12LO5P30YY	Rigid	12" x 3" x 2 Titan-Poly on Cast Iron w/ Precision Ball Bearings; Yellow on Black	13,000#	15-1/2"	\$1,060.00	Ohio, Texas
D3SW12LU2425YY	Swivel	12" x 3" x 2 Polyurethane on Cast Iron Crowned w/ Roller Bearing; Blue on Black	7,000#	15-1/2"	\$980.00	Ohio, Texas
R3SW12LU2425YY	Rigid	12" x 3" x 2 Polyurethane on Cast Iron Crowned w/ Roller Bearing; Blue on Black	7,000#	15-1/2"	\$830.00	Ohio, Texas
D3DS12LR7030YY	Swivel	12" x 3" x 2 Ductile Steel Flat or Crowned w/ Tapered Roller Bearing; Red	20,000#	15-1/2"	\$1,120.00	Ohio, Texas
R3DS12LR7030YY	Rigid	12" x 3" x 2 Ductile Steel Flat or Crowned w/ Tapered Roller Bearing; Red	20,000#	15-1/2"	\$960.00	Ohio, Texas
Code 45 Top Plate	8.5"x8.5" Overall Size	D4/R4 DUAL WHEEL KINGPINLESS SERIES Uses 4" wide Dual Wheels	11,000-40,000#	See below	See Below	Ohio, Texas
Part#	Swivel / Rigid	Wheel Size (Diameter x Tread Width), Wheel Material, Bearings, Color	Capacity	Overall Height	Price Each	Shipping Locations
D4PX80NO7445YY	Swivel	8" x 4" x 2 Titan-Poly on Cast Iron w/ Precision Ball Bearings; Yellow on Black	13,000#	11"	\$1,500.00	Ohio, Texas
R4PX80NO7445YY	Rigid	8" x 4" x 2 Titan-Poly on Cast Iron w/ Precision Ball Bearings; Yellow on Black	13,000#	11"	\$1,375.00	Ohio, Texas
D4DS80NR7445YY	Swivel	8" x 4" x 2 Ductile Steel Flat w/ Tapered Roller Bearing; Red	34,000#	11"	\$1,410.00	Ohio, Texas
R4DS80NR7445YY	Rigid	8" x 4" x 2 Ductile Steel Flat w/ Tapered Roller Bearing; Red	34,000#	11"	\$1,000.00	Ohio, Texas
D4FS80NS7445YY	Swivel	8" x 4" x 2 Forged Steel Flat w/ Tapered Roller Bearing; Silver/Black	36,000#	11"	\$1,900.00	Ohio, Texas
R4FS80NS7445YY	Rigid	8" x 4" x 2 Forged Steel Flat w/ Tapered Roller Bearing; Silver/Black	36,000#	11"	\$1,575.00	Ohio, Texas
D4PX10NO7445YY	Swivel	10" x 4" x 2 Titan-Poly on Cast Iron w/ Precision Ball Bearings; Green on Black	14,000#	13"	\$1,700.00	Ohio, Texas
R4PX10NO7445YY	Rigid	10" x 4" x 2 Titan-Poly on Cast Iron w/ Precision Ball Bearings; Green on Black	14,000#	13"	\$1,225.00	Ohio, Texas
D4DS10NR7445YY	Swivel	10" x 4" x 2 Ductile Steel Flat w/ Tapered Roller Bearing; Red	34,000#	13"	\$1,660.00	Ohio, Texas
R4DS10NR7445YY	Rigid	10" x 4" x 2 Ductile Steel Flat w/ Tapered Roller Bearing; Red	34,000#	13"	\$1,200.00	Ohio, Texas
D4FS10NS7445YY	Swivel	10" x 4" x 2 Forged Steel Flat w/ Tapered Roller Bearing; Silver/Black	40,000#	13"	\$2,050.00	Ohio, Texas
R4FS10NS7445YY	Rigid	10" x 4" x 2 Forged Steel Flat w/ Tapered Roller Bearing; Silver/Black	40,000#	13"	\$1,600.00	Ohio, Texas
D4PX12NO7445YY	Swivel	12" x 4" x 2 Titan-Poly on Cast Iron w/ Precision Ball Bearings; Green on Black	16,000#	15.5"	\$1,980.00	Ohio, Texas
R4PX12NO7445YY	Rigid	12" x 4" x 2 Titan-Poly on Cast Iron w/ Precision Ball Bearings; Green on Black	16,000#	15.5"	\$1,450.00	Ohio, Texas

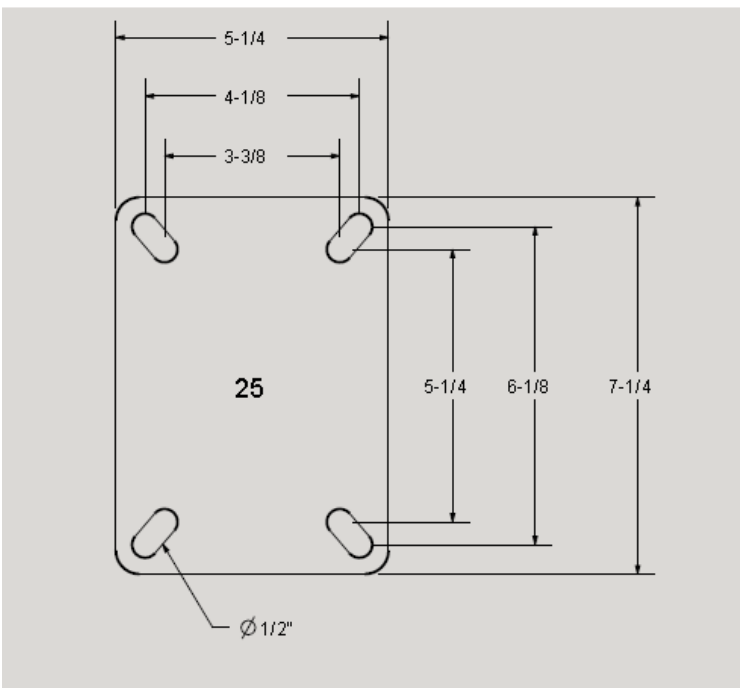
D4DS12NR7445YY	Swivel	12" x 4" x 2 Ductile Steel Flat w/ Tapered Roller Bearing; Red	34,000#	15.5"	\$1,950.00	Ohio, Texas
R4DS12NR7445YY	Rigid	12" x 4" x 2 Ductile Steel Flat w/ Tapered Roller Bearing; Red	34,000#	15.5"	\$1,420.00	Ohio, Texas
D4FS12NS7445YY	Swivel	12" x 4" x 2 Forged Steel Flat w/ Tapered Roller Bearing; Silver/Black	40,000#	15.5"	\$2,100.00	Ohio, Texas
R4FS12NS7445YY	Rigid	12" x 4" x 2 Forged Steel Flat w/ Tapered Roller Bearing; Silver/Black	40,000#	15.5"	\$1,700.00	Ohio, Texas

TOP PLATE SIZES FOR EXTREME DUAL WHEEL CASTERS.

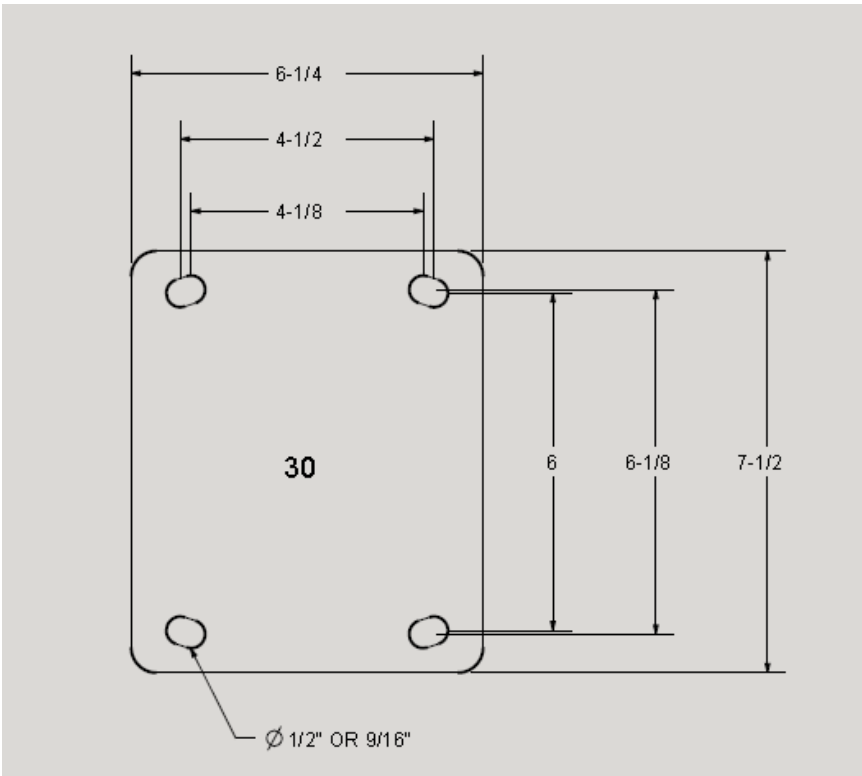
D1/R1 Series 19 Top Plate D2/R2 Series 25 Top Plate D3/R3 Series 30 Top Plate D4/R4 Series 45 Top Plate



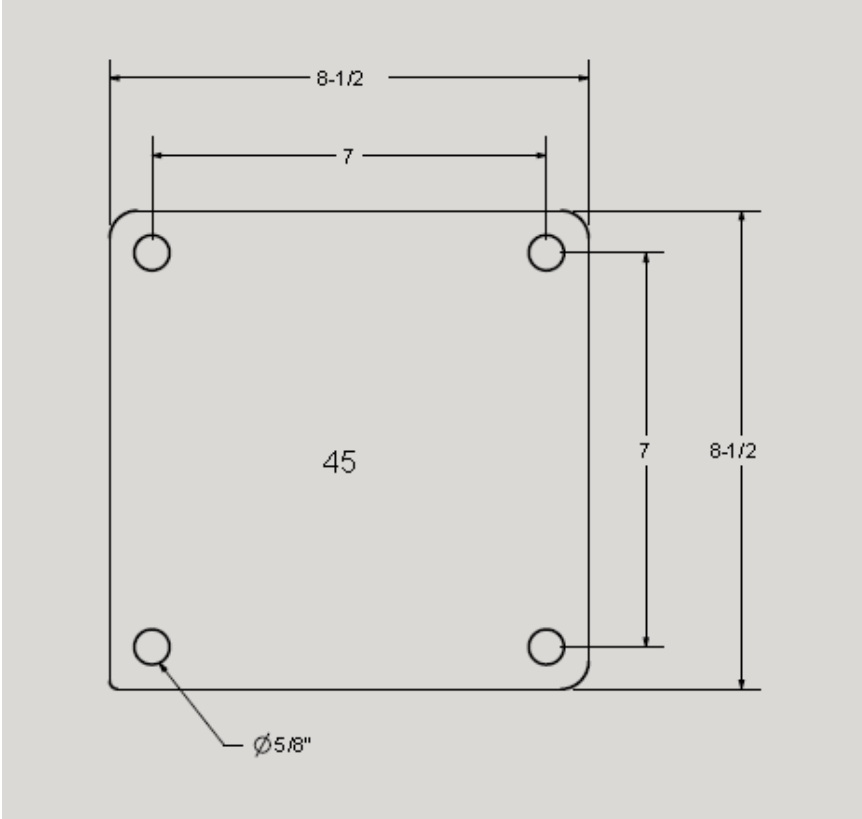
D1 / R1 SERIES 19 TOP PLATE



D2 / R2 SERIES 25 TOP PLATE



D3 / R3 SERIES TOP PLATE 30



D4 / R4 SERIES TOP PLATE 45



Dual Wheel Swivel w/ Ergolastomer wheels



Dual Wheel Swivel w/ Ductile Steel Wheels



Dual Wheel Swivel Titan Poly on Cast Iron



Dual Wheel Rigid w/ Phenolic wheels



Face Contact Brake Installed

Tapered Roller Bearing



Heavy duty tapered roller bearings

Extreme-Heavy-Duty Dual Wheel Kingpinless Casters and Wheels

ASTM 1045 steel w/ large drop forged top plates, raceways, and legs.

Ideal for tow line & shock loads, production dollies & trucks, boat & ship const., metal fab, automotive, aerospace, heavy machinery, mobile home, air cargo, transport vehicles, storage tanks, gantry cranes, heavy-duty processing equipment, machinery moving & rigging equipment.

Capacity 1,600 – 40,000 pounds. 2", 3", & 4" wide dual wheels.

D1 Series Dual Wheel Heavy Duty Casters have 5/16" thick top plate hot forged ASTM1045 steel with 3" diameter precision machined raceway with 1/2" ball bearings. Grease fitting on swivel raceway and axles.

1/2" CNC machined grade 5 zerk axle and nut with zinc plated caster finish. Up to 6,000 lbs. capacity

D2 Series Dual Wheel Extreme Heavy Duty Casters have 5/16" thick top plate hot forged ASTM1045 steel with 3" diameter precision machined raceway with 1/2" hardended ball bearings. Grease fitting on swivel raceway and axles.

Double welded 3/8" thick legs welded to swivel race.

3/4" CNC machined grade 8 zerk axle and nut with zinc plated caster finish. Up to 7,000 lbs. capacity

D3 Series Dual Wheel Extreme Heavy Duty Casters have 1/2" thick top plate drop forged ASTM1045 steel with 4.5" diameter precision machined raceway with 5/8" hardended ball bearings. Grease fitting on swivel raceway and axles.

Double welded 3/8" thick legs welded to swivel race.

3/4" CNC machined grade 8 zerk axle and nut with zinc plated caster finish. Up to 20,000 lbs. capacity

D4 Series Dual Wheel Extreme Heavy Duty Casters have 5/8" thick top plate drop forged ASTM1045 steel with 7" diameter precision machined raceway with 3/4" hardended ball bearings. Grease fitting on swivel raceway and axles.

Double welded 1/2" thick legs welded to swivel race.

1.25" CNC machined grade 8 zerk axle and nut with zinc plated caster finish. Up to 40,000 lbs. capacity