



HEAVY-DUTYCASTER.COM



PHIL@HEAVY-DUTYCASTER.COM

336-362-1639

<https://www.heavy-dutycaster.com/>

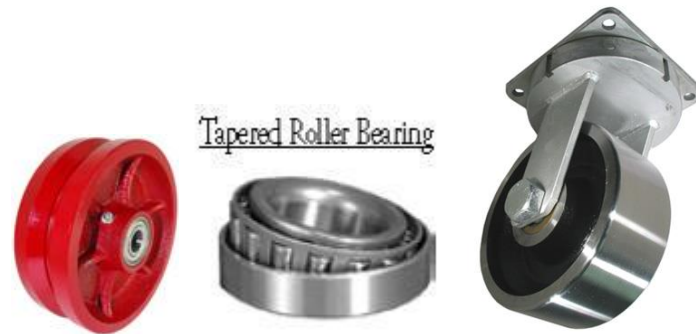
Extreme Heavy Duty Kingpinless Casters 8", 10", 12" and 4" wide

Part#	Swivel / Rigid	Wheel Size (Diameter x Tread Width), Wheel Material, Bearings, Color	Capacity	Overall Height	Price Each	Shipping Locations
65PX80NO7445YY	Swivel	8" x 4" UltraPoly Titan on Cast Iron w/ Tapered Roller Bearings; Yellow on Black	6,500#	11"	\$1,166.00	Ohio, Texas
65PX80NO7445FY	Swivel w/ Face Contact Brake	8" x 4" UltraPoly Titan on Cast Iron w/ Tapered Roller Bearings; Yellow on Black	6,500#	11"	\$1,275.00	Ohio, Texas
66PX80NO7445YY	Rigid	8" x 4" UltraPoly on Cast Iron w/ Tapered Roller Bearings; Yellow on Black	6,500#	11"	\$645.00	Ohio, Texas
65DS80NR7445YY	Swivel	8" x 4" Ductile Steel Tread w/ Tapered Roller Bearings; Red	17,000 #	11"	\$1,117.00	Ohio, Texas
65DS80NR7445FY	Swivel w/ Face Contact Brake	8" x 4" Ductile Steel Tread w/ Tapered Roller Bearings; Red	17,000 #	11"	\$1226.00	Ohio, Texas
66DS80NR7445YY	Rigid	8" x 4" Ductile Steel Tread w/ Tapered Roller Bearings; Red	17,000 #	11"	\$600.00	Ohio, Texas
65FS80NS7445YY	Swivel	8" x 4" Forged Steel w/ Tapered Roller Bearings; Silver	18,000 #	11"	\$1,425.00	Ohio, Texas
65FS80NS7445FY	Swivel w/ Face Contact Brake	8" x 4" Forged Steel w/ Tapered Roller Bearings; Silver	18,000 #	11"	\$1,533.00	Ohio, Texas
66FS80NS7445YY	Rigid	8" x 4" Forged Steel w/ Tapered Roller Bearings; Silver	18,000 #	11"	\$906.00	Ohio, Texas
65PX10NO7445YY	Swivel	10" x 4" UltraPoly Titan on Cast Iron w/ Tapered Roller Bearings; Yellow on Black	7,000#	13"	\$1,242.00	Ohio, Texas
65PX10No7445FY	Swivel w/ Face Contact Brake	10" x 4" UltraPoly on Cast Iron w/ Tapered Roller Bearings; Yellow on Black	7,000#	13"	\$1,350.00	Ohio, Texas

66PX10NG6845YY	Rigid	10" x 4" UltraPoly Titan on Cast Iron w/ Tapered Roller Bearings; Yellow on Black	7,000#	13"	\$717.00	Ohio, Texas
65DS10NR7445YY	Swivel	10" x 4" Ductile Steel Tread w/ Tapered Roller Bearings; Red	17,000 #	13"	\$1,233.00	Ohio, Texas
65DS10NR7445FY	Swivel w/ Face Contact Brake	10" x 4" Ductile Steel Tread w/ Tapered Roller Bearings; Red	17,000 #	13"	\$1,343.00	Ohio, Texas
66DS10NR7445YY	Rigid	10" x 4" Ductile Steel Tread w/ Tapered Roller Bearings; Red	17,000 #	13"	\$712.00	Ohio, Texas
65FS10NS7445YY	Swivel	10" x 4" Forged Steel w/ Tapered Roller Bearings; Silver	20,000 #	13"	\$1,475.00	Ohio, Texas
65FS10NS7445FY	Swivel w/ Face Contact Brake	10" x 4" Forged Steel w/ Tapered Roller Bearings; Silver	20,000 #	13"	\$1,587.00	Ohio, Texas
66FS10NS7445YY	Rigid	10" x 4" Forged Steel w/ Tapered Roller Bearings; Silver	20,000 #	13"	\$950.00	Ohio, Texas
65PX12NO7445YY	Swivel	12" x 4" UltraPoly Titan on Cast Iron w/ Tapered Roller Bearings; Yellow on Black	8,000#	15.5"	\$1,327.00	Ohio, Texas
65PX12NO7445FY	Swivel w/ Face Contact Brake	12" x 4" UltraPoly Titan on Cast Iron w/ Tapered Roller Bearings; Yellow on Black	8,000#	15.5"	\$1,435.00	Ohio, Texas
66PX12NO7445YY	Rigid	12" x 4" UltraPoly Titan on Cast Iron w/ Tapered Roller Bearings; Yellow on Black	8,000#	15.5"	\$793.00	Ohio, Texas
65DS12NR7445YY	Swivel	12" x 4" Ductile Steel Tread w/ Tapered Roller Bearings; Red	17,000 #	15.5"	\$1,390.00	Ohio, Texas
65DS12NR7445FY	Swivel w/ Face Contact Brake	12" x 4" Ductile Steel Tread w/ Tapered Roller Bearings; Red	17,000 #	15.5"	\$1,500.00	Ohio, Texas
66DS12NR7445YY	Rigid	12" x 4" Ductile Steel Tread w/ Tapered Roller Bearings; Red	17,000 #	15.5"	\$856.00	Ohio, Texas
65FS12NS7445YY	Swivel	12" x 4" Forged Steel w/ Tapered Roller Bearings; Silver	20,000 #	15.5"	\$1,493.00	Ohio, Texas
65FS12NS7445FY	Swivel w/ Face Contact Brake	12" x 4" Forged Steel w/ Tapered Roller Bearings; Silver	20,000 #	15.5"	\$1,600.00	Ohio, Texas
66FS12NS7445YY	Rigid	12" x 4" Forged Steel w/ Tapered Roller Bearings; Silver	20,000 #	15.5"	\$962.00	Ohio, Texas



Figure 1 Extreme heavy duty kingpinless 65 series caster with titan extrem duty poly wheel with face contact brake 7,000 lbs. capacity



Specifications and Options

Extreme-Heavy-Duty Kingpinless Casters and Wheels provide durability and perform under extreme conditions. ASTM1045 steel w/ 1/2" drop forged top plate,

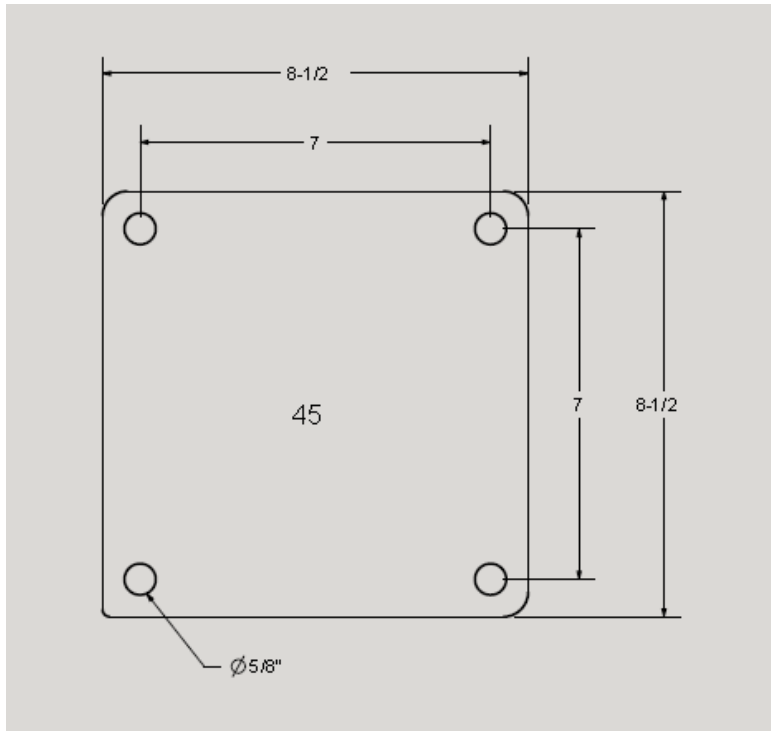
7" forged race with 3/4" diameter hardened steel ball bearings in the swivel race.

1/2" formed legs double welded.

Used in tow line & shock load applications, tractor pulled trailers, heavy-duty military equipment, gantry cranes; mobile storage equipment & carousel applications.
Capacity 4,000 - 20,000 pounds.

8.5"x8.5" top plate,

4" tread width wheels.



POSITION LOCK



PSL

Options

Options



Face Contact Brake
(F)