



WWW.HEAVY-DUTYCASTER.COM phil@heavy-dutycaster.com 336-362-1639

Part#	Swivel / Rigid	Wheel Size (Diameter x Tread Width), Wheel Material, Bearings, Color	Capacity	Overall Height	Price Each	Shipping Locations
63PH60LB2630YY	Swivel	6" x 3" Phenolic w/ Straight Roller Bearings; Black	2,000#	8.5"	\$354.00	Ohio, Texas
63PH60LB2630FY	Swivel w/ Face Contact Brake	6" x 3" Phenolic w/ Straight Roller Bearings; Black	2,000#	8.5"	\$384.00	Ohio, Texas
64PH60LB2630YY	Rigid	6" x 3" Phenolic w/ Straight Roller Bearings; Black	2,000#	8.5"	\$206.00	Ohio, Texas
63SW60LU2630YY	Swivel	6" x 3" Energy Saver Poly on Cast Iron Crowned Tread w/ Roller Bearings; Blue on Black	2,200#	8.5"	\$354.00	Ohio, Texas
63SW60LU2630FY	Swivel w/ Face Contact Brake	6" x 3" Energy Saver Poly on Cast Iron Crowned Tread w/ Roller Bearings; Blue on Black	2,200#	8.5"	\$394.00	Ohio, Texas
64SW60LU2630YY	Rigid	6" x 3" Energy Saver Poly on Cast Iron Crowned Tread w/ Roller Bearings; Blue on Black	2,200#	8.5"	\$215.00	Ohio, Texas
63PX60LO7130YY	Swivel	6" x 3" UltraPoly on Cast Iron w/ Tapered Roller Bearings; Yellow on Black	4,000#	8.5"	\$403.00	Ohio, Texas
63PX60LO7130FY	Swivel w/ Face Contact Brake	6" x 3" UltraPoly on Cast Iron w/ Tapered Roller Bearings; Yellow on Black	4,000#	8.5"	\$443.00	Ohio, Texas
64PX60LO7130YY	Rigid	6" x 3" UltraPoly on Cast Iron w/ Tapered Roller Bearings; Yellow on Black	4,000#	8.5"	\$264.00	Ohio, Texas
63CD60LR7130YY	Swivel	6" x 3" Ductile Steel Crowned Tread w/ Tapered Roller Bearings; Red	10,000 #	8.5"	\$403.00	Ohio, Texas
63CD60LR7130FY	Swivel w/ Face Contact Brake	6" x 3" Ductile Steel Crowned Tread w/ Tapered Roller Bearings; Red	10,000 #	8.5"	\$443.00	Ohio, Texas
64CD60LR7130YY	Rigid	6" x 3" Ductile Steel Crowned Tread w/ Tapered Roller Bearings; Red	10,000 #	8.5"	\$264.00	Ohio, Texas
63FS60LS7130YY	Swivel	6" x 3" Forged Steel w/ Tapered Roller Bearings; Silver	10,000 #	8.5"	\$519.00	Ohio, Texas
63FS60LS7130FY	Swivel w/ Face Contact Brake	6" x 3" Forged Steel w/ Tapered Roller Bearings; Silver	10,000 #	8.5"	\$569.00	Ohio, Texas
64FS60LS7130YY	Rigid	6" x 3" Forged Steel w/ Tapered Roller Bearings; Silver	10,000 #	8.5"	\$380.00	Ohio, Texas
63DV60LT7130YY	Swivel	6" x 3" V-Groove Ductile Steel w/ Tapered Roller Bearings; Red	5,000#	8.5"	\$397.00	Ohio, Texas
63DV60LT7130FY	Swivel w/ Face Contact Brake	6" x 3" V-Groove Ductile Steel w/ Tapered Roller Bearings; Red	5,000#	8.5"	\$437.00	Ohio, Texas
64DV60LT7130YY	Rigid	6" x 3" V-Groove Ductile Steel w/ Tapered Roller Bearings; Red	5,000#	8.5"	\$258.00	Ohio, Texas
63PH80LB2630YY	Swivel	8" x 3" Phenolic w/ Straight Roller Bearings; Black	2,500#	10.5"	\$358.00	Ohio, Texas
63PH80LB2630FY	Swivel w/ Face Contact Brake	8" x 3" Phenolic w/ Straight Roller Bearings; Black	2,500#	10.5"	\$398.00	Ohio, Texas



WWW.HEAVY-DUTYCASTER.COM phil@heavy-dutycaster.com 336-362-1639

64PH80LB2630YY	Rigid	8" x 3" Phenolic w/ Straight Roller Bearings; Black	2,500#	10.5"	\$215.00	Ohio, Texas
63SW80LU2630YY	Swivel	8" x 3" Energy Saver Poly on Cast Iron Crowned Tread w/ Roller Bearings; Blue on Black	2,700#	10.5"	\$377.00	Ohio, Texas
63SW80LU2630FY	Swivel w/ Face Contact Brake	8" x 3" Energy Saver Poly on Cast Iron Crowned Tread w/ Roller Bearings; Blue on Black	2,700#	10.5"	\$417.00	Ohio, Texas
64SW80LU2630YY	Rigid	8" x 3" Energy Saver Poly on Cast Iron Crowned Tread w/ Roller Bearings; Blue on Black	2,700#	10.5"	\$233.00	Ohio, Texas
63PX80LO7130YY	Swivel	8" x 3" UltraPoly Titan on Cast Iron w/ Tapered Roller Bearings; Yellow on Black	5,500#	10.5"	\$463.00	Ohio, Texas
63PX80LO7130FY	Swivel w/ Face Contact Brake	8" x 3" UltraPoly Titan on Cast Iron w/ Tapered Roller Bearings; Yellow on Black	5,500#	10.5"	\$493.00	Ohio, Texas
64PX80LO7130YY	Rigid	8" x 3" UltraPoly Titan on Cast Iron w/ Tapered Roller Bearings; Yellow on Black	5,500#	10.5"	\$319.00	Ohio, Texas
63CD80LR7130YY	Swivel	8" x 3" Ductile Steel Crowned Tread w/ Tapered Roller Bearings; Red	10,000 #	10.5"	\$427.00	Ohio, Texas
63CD80LR7130FY	Swivel w/ Face Contact Brake	8" x 3" Ductile Steel Crowned Tread w/ Tapered Roller Bearings; Red	10,000 #	10.5"	\$467.00	Ohio, Texas
64CD80LR7130YY	Rigid	8" x 3" Ductile Steel Crowned Tread w/ Tapered Roller Bearings; Red	10,000 #	10.5"	\$283.00	Ohio, Texas
63FS80LS7130YY	Swivel	8" x 3" Forged Steel w/ Tapered Roller Bearings; Silver	10,000 #	10.5"	\$573.00	Ohio, Texas
63FS80LS7130FY	Swivel w/ Face Contact Brake	8" x 3" Forged Steel w/ Tapered Roller Bearings; Silver	10,000 #	10.5"	\$613.00	Ohio, Texas
64FS80LS7130YY	Rigid	8" x 3" Forged Steel w/ Tapered Roller Bearings; Silver	10,000 #	10.5"	\$429.00	Ohio, Texas
63DV80LT7130YY	Swivel	8" x 3" V-Groove Ductile Steel w/ Tapered Roller Bearings; Red	5,000#	10.5"	\$464.00	Ohio, Texas
63DV80LT7130FY	Swivel w/ Face Contact Brake	8" x 3" V-Groove Ductile Steel w/ Tapered Roller Bearings; Red	5,000#	10.5"	\$504.00	Ohio, Texas
64DV80LT7130YY	Rigid	8" x 3" V-Groove Ductile Steel w/ Tapered Roller Bearings; Red	5,000#	10.5"	\$320.00	Ohio, Texas
63PH10LB2630YY	Swivel	10" x 3" Phenolic w/ Straight Roller Bearings; Black	2,900#	12.5"	\$378.00	Ohio, Texas
63PH10LB2630FY	Swivel w/ Face Contact Brake	10" x 3" Phenolic w/ Straight Roller Bearings; Black	2,900#	12.5"	\$418.00	Ohio, Texas
64PH10LB2630YY	Rigid	10" x 3" Phenolic w/ Straight Roller Bearings; Black	2,900#	12.5"	\$227.00	Ohio, Texas
63SW10LU2630YY	Swivel	10" x 3" Energy Saver Poly on Cast Iron Crowned Tread w/ Roller Bearings; Blue on Black	3,000#	12.5"	\$407.00	Ohio, Texas



WWW.HEAVY-DUTYCASTER.COM phil@heavy-dutycaster.com 336-362-1639

63SW10LU2630FY	Swivel w/ Face Contact Brake	10" x 3" Energy Saver Poly on Cast Iron Crowned Tread w/ Roller Bearings; Blue on Black	3,000#	12.5"	\$447.00	Ohio, Texas
64SW10LU2630YY	Rigid	10" x 3" Energy Saver Poly on Cast Iron Crowned Tread w/ Roller Bearings; Blue on Black	3,000#	12.5"	\$256.00	Ohio, Texas
63PX10LO7130YY	Swivel	10" x 3" UltraPoly on Cast Iron w/ Tapered Roller Bearings; Yellow on Black	6,000#	12.5"	\$504.00	Ohio, Texas
63PX10LO7130FY	Swivel w/ Face Contact Brake	10" x 3" UltraPoly on Cast Iron w/ Tapered Roller Bearings; Yellow on Black	6,000#	12.5"	\$554.00	Ohio, Texas
64PX10LO7130YY	Rigid	10" x 3" UltraPoly on Cast Iron w/ Tapered Roller Bearings; Yellow on Black	6,000#	12.5"	\$363.00	Ohio, Texas
63CD10LR7130YY	Swivel	10" x 3" Ductile Steel Crowned Tread w/ Tapered Roller Bearings; Red	10,000 #	12.5"	\$452.00	Ohio, Texas
63CD10LR7130FY	Swivel w/ Face Contact Brake	10" x 3" Ductile Steel Crowned Tread w/ Tapered Roller Bearings; Red	10,000 #	12.5"	\$492.00	Ohio, Texas
64CD10LR7130YY	Rigid	10" x 3" Ductile Steel Crowned Tread w/ Tapered Roller Bearings; Red	10,000 #	12.5"	\$292.00	Ohio, Texas
63FS10LS7130YY	Swivel	10" x 3" Forged Steel w/ Tapered Roller Bearings; Silver	10,000 #	12.5"	\$738.00	Ohio, Texas
63FS10LS7130FY	Swivel w/ Face Contact Brake	10" x 3" Forged Steel w/ Tapered Roller Bearings; Silver	10,000 #	12.5"	\$778.00	Ohio, Texas
64FS10LS7130YY	Rigid	10" x 3" Forged Steel w/ Tapered Roller Bearings; Silver	10,000 #	12.5"	\$587.00	Ohio, Texas
63DV10LT7130YY	Swivel	10" x 3" V-Groove Ductile Steel w/ Tapered Roller Bearings; Red	7,000#	12.5"	\$502.00	Ohio, Texas
63DV10LT7130FY	Swivel w/ Face Contact Brake	10" x 3" V-Groove Ductile Steel w/ Tapered Roller Bearings; Red	7,000#	12.5"	\$552.00	Ohio, Texas
64DV10LT7130YY	Rigid	10" x 3" V-Groove Ductile Steel w/ Tapered Roller Bearings; Red	7,000#	12.5"	\$362.00	Ohio, Texas
63PH12LB2630YY	Swivel	12" x 3" Phenolic w/ Straight Roller Bearings; Black	3,500#	15.5"	\$407.00	Ohio, Texas
63PH12LB2630FY	Swivel w/ Face Contact Brake	12" x 3" Phenolic w/ Straight Roller Bearings; Black	3,500#	15.5"	\$457.00	Ohio, Texas
64PH12LB2630YY	Rigid	12" x 3" Phenolic w/ Straight Roller Bearings; Black	3,500#	15.5"	\$242.00	Ohio, Texas
63SW12LU2630YY	Swivel	12" x 3" Energy Saver Poly on Cast Iron Crowned Tread w/ Roller Bearings; Blue on Black	3,500#	15.5"	\$444.00	Ohio, Texas
63SW12LU2630FY	Swivel w/ Face Contact Brake	12" x 3" Energy Saver Poly on Cast Iron Crowned Tread w/ Roller Bearings; Blue on Black	3,500#	15.5"	\$484.00	Ohio, Texas
64SW12LU2630YY	Rigid	12" x 3" Energy Saver Poly on Cast Iron Crowned Tread w/ Roller Bearings; Blue on Black	3,500#	15.5"	\$290.00	Ohio, Texas



WWW.HEAVY-DUTYCASTER.COM phil@heavy-dutycaster.com 336-362-1639

63PX12L07130YY	Swivel	12" x 3" UltraPoly Titan on Cast Iron w/ Tapered Roller Bearings; Yellow on Black	6,500#	15.5"	\$556.00	Ohio, Texas
63PX12L07130FY	Swivel w/ Face Contact Brake	12" x 3" UltraPoly Titan on Cast Iron w/ Tapered Roller Bearings; Yellow on Black	6,500#	15.5"	\$596.00	Ohio, Texas
64PX12L07130YY	Rigid	12" x 3" UltraPoly Titan on Cast Iron w/ Tapered Roller Bearings; Yellow on Black	6,500#	15.5"	\$402.00	Ohio, Texas
63CD12LR7130YY	Swivel	12" x 3" Ductile Steel Crowned Tread w/ Tapered Roller Bearings; Red	10,000 #	15.5"	\$500.00	Ohio, Texas
63CD12LR7130FY	Swivel w/ Face Contact Brake	12" x 3" Ductile Steel Crowned Tread w/ Tapered Roller Bearings; Red	10,000 #	15.5"	\$540.00	Ohio, Texas
64CD12LR7130YY	Rigid	12" x 3" Ductile Steel Crowned Tread w/ Tapered Roller Bearings; Red	10,000 #	15.5"	\$305.00	Ohio, Texas
63FS12LS7130YY	Swivel	12" x 3" Forged Steel w/ Tapered Roller Bearings; Silver	10,000 #	15.5"	\$1,139.00	Ohio, Texas
63FS12LS7130FY	Swivel w/ Face Contact Brake	12" x 3" Forged Steel w/ Tapered Roller Bearings; Silver	10,000 #	15.5"	\$1,189.00	Ohio, Texas
64FS12LS7130YY	Rigid	12" x 3" Forged Steel w/ Tapered Roller Bearings; Silver	10,000 #	15.5"	\$927.00	Ohio, Texas

63 and 64 Series Heavy Duty Kingpinless Drop Forged Casters and Wheels are rated from 2,000 lbs. capacity to 10,000 lbs. capacity with 6" diameter, 8" diameter, 10" diameter, 12" diameter x 3" wide tread width wheels.

These heavy duty kingpinless drop forged casters are made of ASTM1045 steel, drop forged 1/2" thick swivel raceway and head.

4.5" diameter precision machined raceway with 5/8" diameter hardened steel ball bearings for high capacity and durability.

Legs are formed from 3/8" thick steel with double welds to the swivel race.

1" diameter Grade 5 axle bolt for 3" wide wheels

Zinc plated caster body.

Zerk grease fitting on swivel raceway and axle.

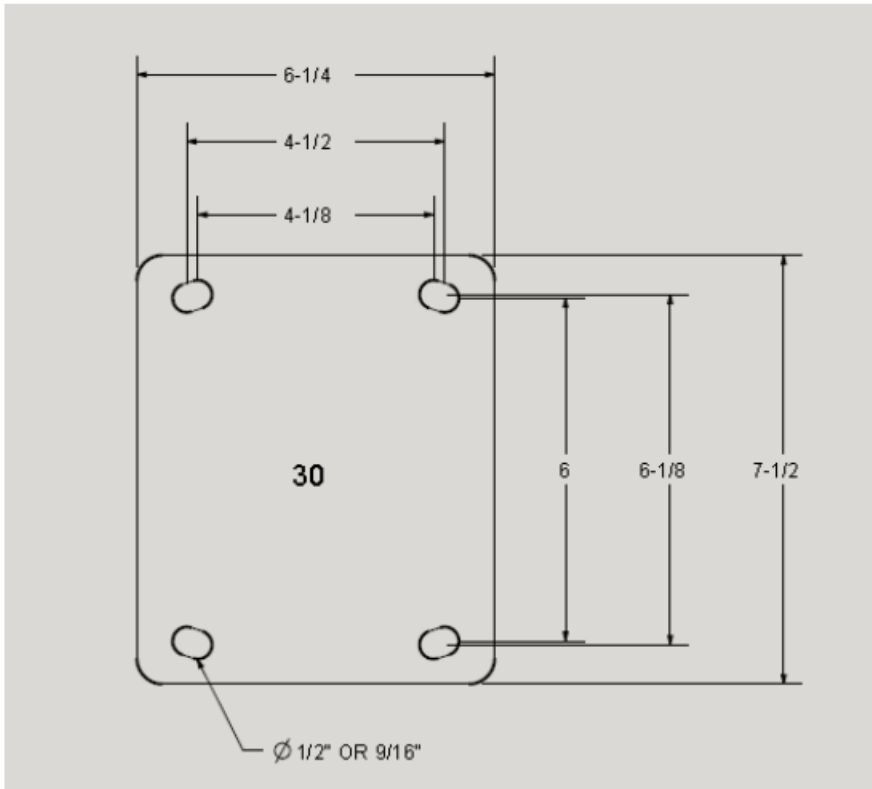
Plate code: 30 6.25" x 7.5" Top Plate Size

4.5" x 6" slotted to 4 - 1/8" x 6 - 1/8" bolt hole spacing

1/2" attaching bolt size. (attaching bolts not supplied)



WWW.HEAVY-DUTYCASTER.COM phil@heavy-dutycaster.com 336-362-1639





WWW.HEAVY-DUTYCASTER.COM phil@heavy-dutycaster.com 336-362-1639



Figure 2 12" x 3" titan ultra poly wheel rigid caster 6,500 lbs. capacity

*Figure 1 10" x 3"
forged steel wheel
swivel caster with
face contact brake*



Figure 3 10" x 3" ductile steel wheel in 63 series heavy duty caster 7,000 lbs. capacity