



HEAVY-DUTY INDUSTRIAL CASTERS AND WHEELS

Casters and Wheels for Industrial Material Handling and Commercial OEM Applications Requiring Heavy-Duty Capacity and Durability.

Contact: Phil Strouth to discuss your application and to place orders.

E-Mail: phil@heavy-dutycaster.com or phillip@cmh-inc.com Or Call: 336 - 362 – 1639

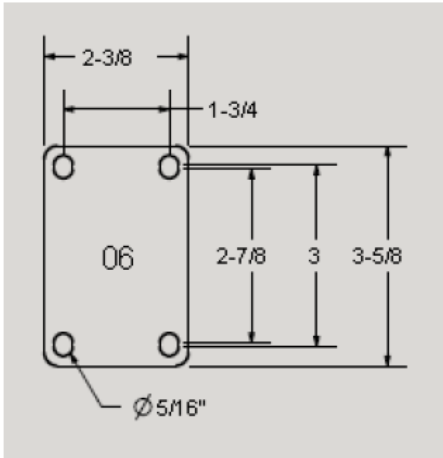
<http://www.heavy-dutycaster.com/>

Our Best Selling and most ergonomic and durable Light Duty Polymadic Swivel and Rigid Casters Price Sheet
 Advantages of Polymadic wheels: Injected Mold Polyurethane; Crowned Tread; Annular Ball Bearings for extremely smooth and easy rolling; Double Ball swivel raceway for swivel casters for extended life and better swivel action.

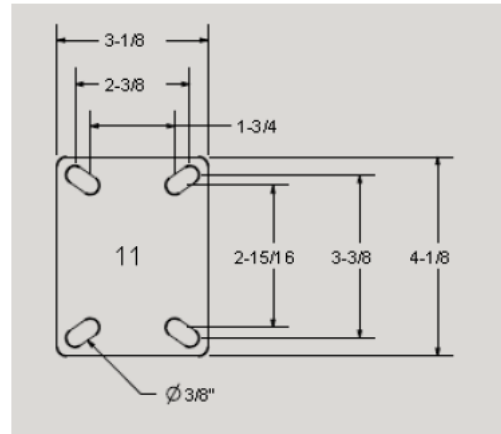


| Part# | Swivel / Rigid | Wheel Size (Diameter x Tread Width), Wheel Material, Bearings, Color | Capacity | Overall Height | Price Each | Shipping Locations |
|--------------|--------------------------|--|----------|----------------|------------|--------------------|
| 75PM30GM43 | Swivel | 3" x 1.25" Polyurethane on Poly w/ Annular Ball Bearings; Maroon on Grey | 300# | 4-1/8" | \$13.00 | Ohio, Texas |
| 75PM30GM43TY | Swivel w/ Top Lock Brake | 3" x 1.25" Polyurethane on Poly w/ Annular Ball Bearings; Maroon on Grey | 300# | 4-1/8" | \$16.00 | Ohio, Texas |
| 76PM30GM43 | Rigid | 3" x 1.25" Polyurethane on Poly w/ Annular Ball Bearings; Maroon on Grey | 300# | 4-1/8" | \$12.00 | Ohio, Texas |
| 75PM35GM43 | Swivel | 3.5" x 1.25" Polyurethane on Poly w/ Annular Ball Bearings; Maroon on Grey | 325# | 4-11/16" | \$14.00 | Ohio, Texas |
| 75PM35GM43TY | Swivel w/ Top Lock Brake | 3.5" x 1.25" Polyurethane on Poly w/ Annular Ball Bearings; Maroon on Grey | 325# | 4-11/16" | \$17.00 | Ohio, Texas |
| 76PM35GM43 | Rigid | 3.5" x 1.25" Polyurethane on Poly w/ Annular Ball Bearings; Maroon on Grey | 325# | 4-11/16" | \$13.00 | Ohio, Texas |
| 75PM40GM43 | Swivel | 4" x 1.25" Polyurethane on Poly w/ Annular Ball Bearings; Maroon on Grey | 350# | 5-1/8" | \$16.00 | Ohio, Texas |
| 75PM40GM43TY | Swivel w/ Top Lock Brake | 4" x 1.25" Polyurethane on Poly w/ Annular Ball Bearings; Maroon on Grey | 350# | 5-1/8" | \$18.00 | Ohio, Texas |
| 76PM40GM43 | Rigid | 4" x 1.25" Polyurethane on Poly w/ Annular Ball Bearings; Maroon on Grey | 350# | 5-1/8" | \$15.00 | Ohio, Texas |
| 75PM50GM43 | Swivel | 5" x 1.25" Polyurethane on Poly w/ Annular Ball Bearings; Maroon on Grey | 350# | 6-1/4" | \$17.00 | Ohio, Texas |
| 75PM50GM43TY | Swivel w/ Top Lock Brake | 5" x 1.25" Polyurethane on Poly w/ Annular Ball Bearings; Maroon on Grey | 350# | 6-1/4" | \$20.00 | Ohio, Texas |
| 76PM50GM43 | Rigid | 5" x 1.25" Polyurethane on Poly w/ Annular Ball Bearings; Maroon on Grey | 350# | 6-1/4" | \$16.00 | Ohio, Texas |

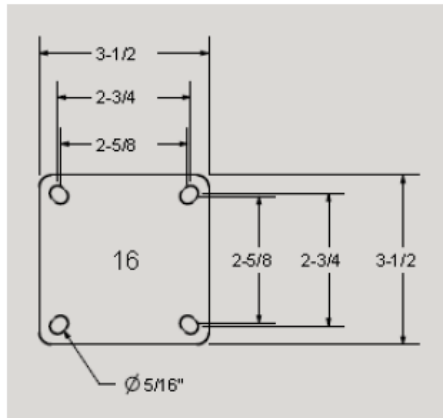
Top plate options for light duty casters



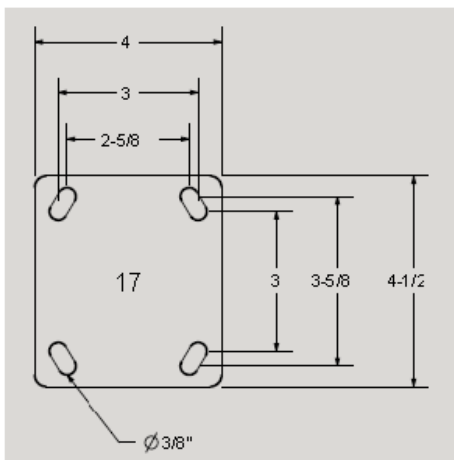
06 TOP PLATE



11 TOP PLATE



16 TOP PLATE



17 TOP PLATE

| Stem Code | Stem Size | Stem Type |
|-----------|--------------------|-------------------------------------|
| 41 | .875" x 2 - 1/4" | Octagon w/ Grip Ring |
| 42 | 7/8" x 2" | Octagon w/ 5/16" Cross Drilled Hole |
| 51 | 3/4" x 2" | Square w/ 3 Cross Drilled Holes |
| 60 | 3/8"-16 x 3/4" | Threaded |
| 61 | 3/8"-16 x 1" | Threaded |
| 62 | 3/8"-16 x 1.5" | Threaded |
| 66 | 1/2"-13 x 3/4" | Threaded |
| 67 | 1/2"-13 x 1" | Threaded |
| 68 | 1/2"-13 x 1.5" | Threaded |
| 69 | 1/2"-13 x 2" | Threaded |
| 70 | 1.5"-13 x 2.75" | Threaded |
| 80 | 5/8"-11 x 1" | Threaded |
| 81 | 5/8"-11 x 3/4" | Threaded |
| 87 | 3/4"-10 x 1.75" | Threaded |
| 71 | .720" - .851" | Expandable Adapter |
| 72 | .852" - .927" | Expandable Adapter |
| 73 | .928" - 1.029" | Expandable Adapter |
| 74 | 1.030" - 1.140" | Expandable Adapter |
| 75 | 1.360" - 1.425" | Expandable Adapter |
| 76 | 1.426" - 1.589" | Expandable Adapter |
| 77 | 1.790" - 1.850" | Expandable Adapter |
| 91 | 7/16" x 1 - 3/8" | Grip Ring |
| 93 | 13/16" x 2 - 3/16" | Grip Ring |
| 95 | .846" x 2-3/16" | Grip Ring |
| 96 | 13/16" x 1.75" | Grip Ring |