

HEAVY-DUTY INDUSTRIAL CASTERS AND WHEELS

Casters and Wheels for Industrial Material Handling and Commercial OEM Applications Requiring Heavy-Duty Capacity and Durability.

Contact: Phil Strouth to discuss your application and to place orders.

E-Mail: phil@heavy-dutycaster.com or phillip@cmh-inc.com Or Call: **336 - 362 – 1639**

<https://heavy-dutycaster.com/>

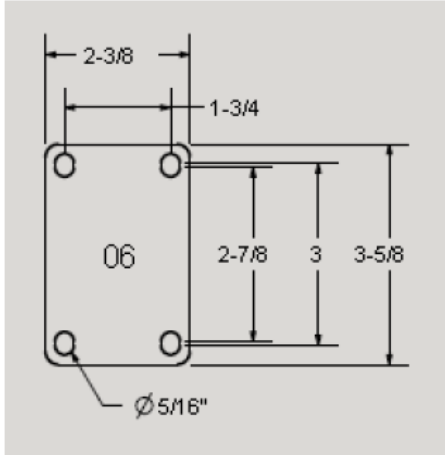
Our Best Selling **Total Lock Swivel** ergonomic and durable Light Duty Polymadic Swivel and Rigid Casters Price Sheet
 Advantages of Polymadic wheels: Injected Mold Polyurethane; Crowned Tread; Annular Ball Bearings for extremely smooth and easy rolling; Double Ball swivel raceway for swivel casters for extended life and better swivel action.
 Capacity ranges from 300 lbs. to 350 lbs. capacity



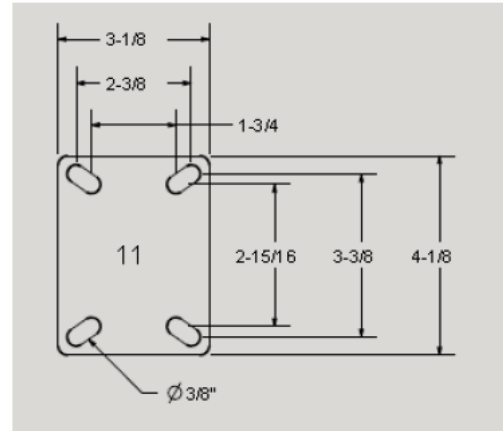
Part#	Swivel / Rigid	Wheel Size (Diameter x Tread Width), Wheel Material, Bearings, Color	Capacity	Overall Height	Price Each	Shipping Locations
T3PM30GM43	Swivel Total Lock Brake	3" x 1.25" Polyurethane on Poly w/ Annular Ball Bearings; Maroon on Grey	300#	4-1/8"	\$17.00	Ohio, Texas
75PM30GM43TY	Swivel w/ Top Lock Brake	3" x 1.25" Polyurethane on Poly w/ Annular Ball Bearings; Maroon on Grey	300#	4-1/8"	\$16.00	Ohio, Texas
76PM30GM43	Rigid	3" x 1.25" Polyurethane on Poly w/ Annular Ball Bearings; Maroon on Grey	300#	4-1/8"	\$12.00	Ohio, Texas
T3PM35GM43	Swivel	3.5" x 1.25" Polyurethane on Poly w/ Annular Ball Bearings; Maroon on Grey	325#	4-11/16"	\$18.00	Ohio, Texas
75PM35GM43TY	Swivel w/ Top Lock Brake	3.5" x 1.25" Polyurethane on Poly w/ Annular Ball Bearings; Maroon on Grey	325#	4-11/16"	\$17.00	Ohio, Texas
76PM35GM43	Rigid	3.5" x 1.25" Polyurethane on Poly w/ Annular Ball Bearings; Maroon on Grey	325#	4-11/16"	\$13.00	Ohio, Texas
T3PM40GM43	Swivel	4" x 1.25" Polyurethane on Poly w/ Annular Ball Bearings; Maroon on Grey	350#	5-1/8"	\$19.00	Ohio, Texas
75PM40GM43TY	Swivel w/ Top Lock Brake	4" x 1.25" Polyurethane on Poly w/ Annular Ball Bearings; Maroon on Grey	350#	5-1/8"	\$18.00	Ohio, Texas
76PM40GM43	Rigid	4" x 1.25" Polyurethane on Poly w/ Annular Ball Bearings; Maroon on Grey	350#	5-1/8"	\$15.00	Ohio, Texas
T3PM50GM43	Swivel	5" x 1.25" Polyurethane on Poly w/ Annular Ball Bearings; Maroon on Grey	350#	6-1/4"	\$21.00	Ohio, Texas
75PM50GM43TY	Swivel w/ Top Lock Brake	5" x 1.25" Polyurethane on Poly w/ Annular Ball Bearings; Maroon on Grey	350#	6-1/4"	\$20.00	Ohio, Texas
76PM50GM43	Rigid	5" x 1.25" Polyurethane on Poly w/ Annular Ball Bearings; Maroon on Grey	350#	6-1/4"	\$16.00	Ohio, Texas

WWW.HEAVY-DUTYCASTER.COM

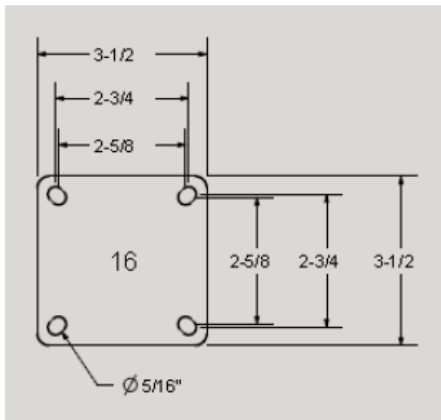
Top plate options for light duty casters



06 TOP PLATE

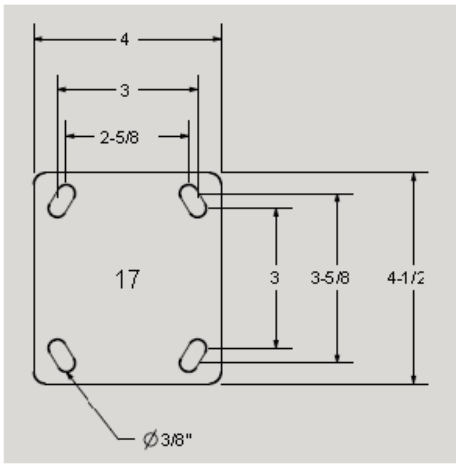


11 TOP PLATE



16 TOP PLATE

Stem Code	Stem Size	Stem Type
41	.875" x 2 - 1/4"	Octagon w/ Grip Ring
42	7/8" x 2"	Octagon w/ 5/16" Cross Drilled Hole
51	3/4" x 2"	Square w/ 3 Cross Drilled Holes
60	3/8"-16 x 3/4"	Threaded
61	3/8"-16 x 1"	Threaded
62	3/8"-16 x 1.5"	Threaded
66	1/2"-13 x 3/4"	Threaded
67	1/2"-13 x 1"	Threaded
68	1/2"-13 x 1.5"	Threaded
69	1/2"-13 x 2"	Threaded
70	1.5"-13 x 2.75"	Threaded
80	5/8"-11 x 1"	Threaded
81	5/8"-11 x 3/4"	Threaded
87	3/4"-10 x 1.75"	Threaded
71	.720" - .851"	Expandable Adapter
72	.852" - .927"	Expandable Adapter
73	.928" - 1.029"	Expandable Adapter
74	1.030" - 1.140"	Expandable Adapter
75	1.360" - 1.425"	Expandable Adapter
76	1.426" - 1.589"	Expandable Adapter
77	1.790" - 1.850"	Expandable Adapter
91	7/16" x 1 - 3/8"	Grip Ring
93	13/16" x 2-3/16"	Grip Ring
95	.846" x 2-3/16"	Grip Ring
96	13/16" x 1.75"	Grip Ring



17 TOP PLATE

Our T3 Total Lock Swivel casters have a glass filled nylon pedal for high impact and cost reduction. The total lock brake option allows the operator the ability to simultaneously lock both the swivel action and the wheel at the same time when the brake is pressed down and locked. This allows a much more secure brake so the caster will not swivel or roll when the total lock brake is applied.